

General Information:

| | |
|---|---------------|
| Gewicht/weight | 1.72kg |
| Einbaulage/ Installation position | Beliebig/ Any |
| max.Betriebsdruck/ maximum operating pressure (Z) | 550 bar |
| max.Betriebsdruck/ maximum operating pressure (P) | 420 bar |
| max.Druck/ max. pressure (T) | <20 bar |
| max. Volumenstrom/ max. recommended flow | 30 l/min |

Oberfläche / surface:

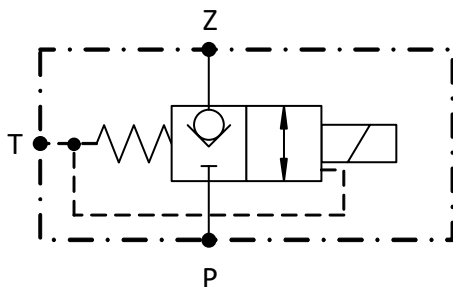
lackiert / painted

Hydraulic data:

| | |
|--|---|
| Druckflüssigkeit/ Hydraulic medium | (HL, HLP) per DIN 51524 |
| Temperatur/ temperature range | -20 to +80 °C |
| Umgebungstemperatur/ environmental temperature | < +50 °C |
| Viskositätsbereich/ Viscosity range | 2.8 - 500 mm ² /s |
| Verschmutzungsgrad/ degree of contamination | filtering conforming with NAS 1638, class 9, with minimum retention rate $\beta_{10} \geq 75$ |

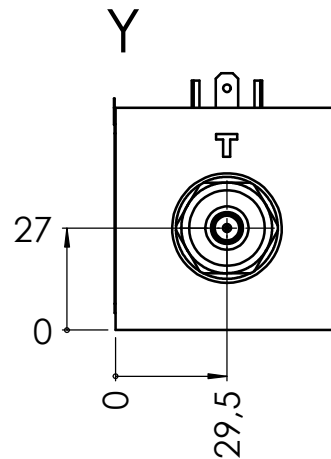
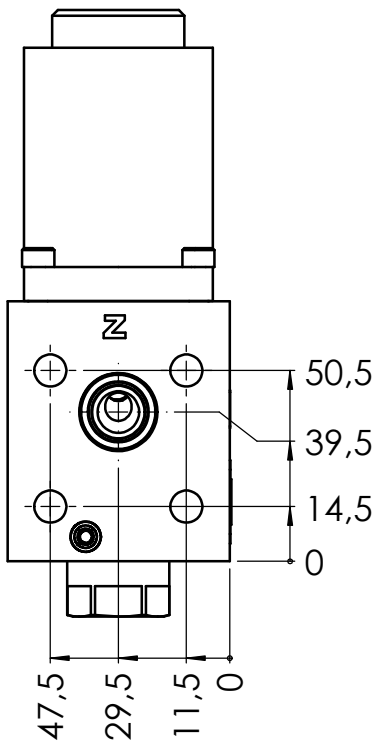
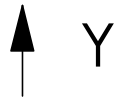
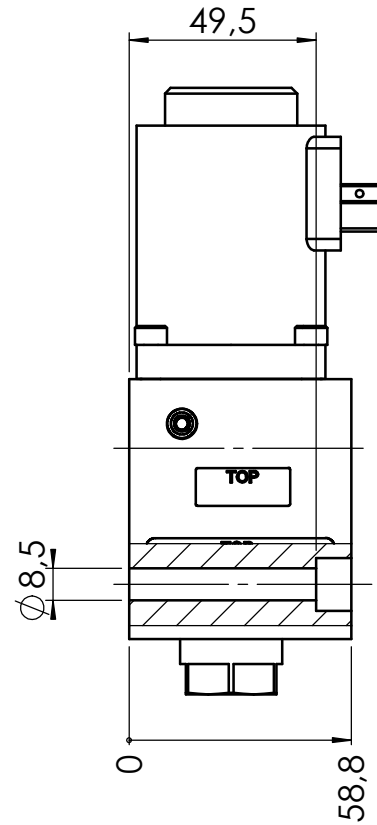
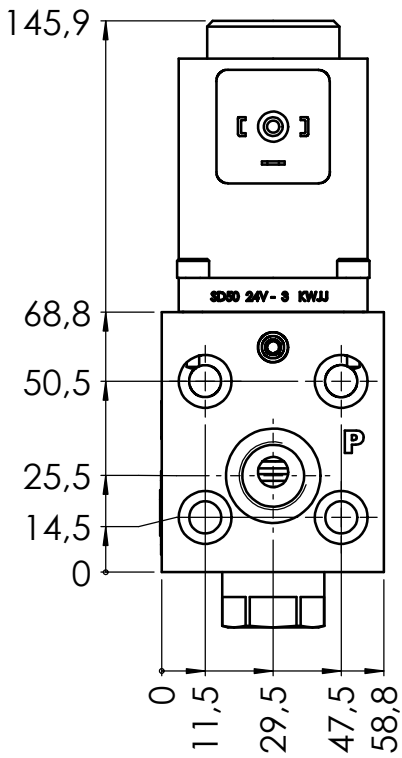
Electronical data:

| | |
|--|-----------------|
| Versorgungsspannung/ Supply voltage | 24 ±10% VDC |
| Anschlussstecker/ connector | Deutsch DT04-2P |
| Schutzart/ Protection class according to DIN 40050 | bis IP 69 |



we engineer your progress

| Anschluss/ port | Anschlussgröße/ size | Norm | Anzugsmoment /torque | Erläuterung/ annotation | | | | | | |
|-----------------|----------------------|------------|----------------------|------------------------------------|---------------------|-----------|------|---|-----|---|
| P | M18x1.5 | ISO 9974-1 | see specification | Versorgungsleitung/ supply port | | | | | | |
| Z | Ø11 | - | see specification | Verbraucheranschluss/actuator port | | | | | | |
| T | G1/4 | ISO 1179-1 | see specification | Tankanschluss/ tank port | | | | | | |
| budde | prepared on | 06.02.23 | changed on | 16.05.2023 | ID-Nr.281.314.255.9 | index: 00 | page | 1 | von | 2 |



we engineer your progress