

General Information:

Gewicht/weight	21.2 kg
Einbaulage/ Installation position	Beliebig/ Any
max. Betriebsdruck/ maximum operating pressure (A, B, AM, BM)	420 bar
max. Druck/ max. pressure (L)	<1 bar
max. Volumenstrom/ max. recommended flow	320 l/min
Volumenstrom (A zu AM - B zu BM) / nominal flow (A to AM - B to BM)	je nach Blende/ depending on the orifice

Oberfläche / surface:

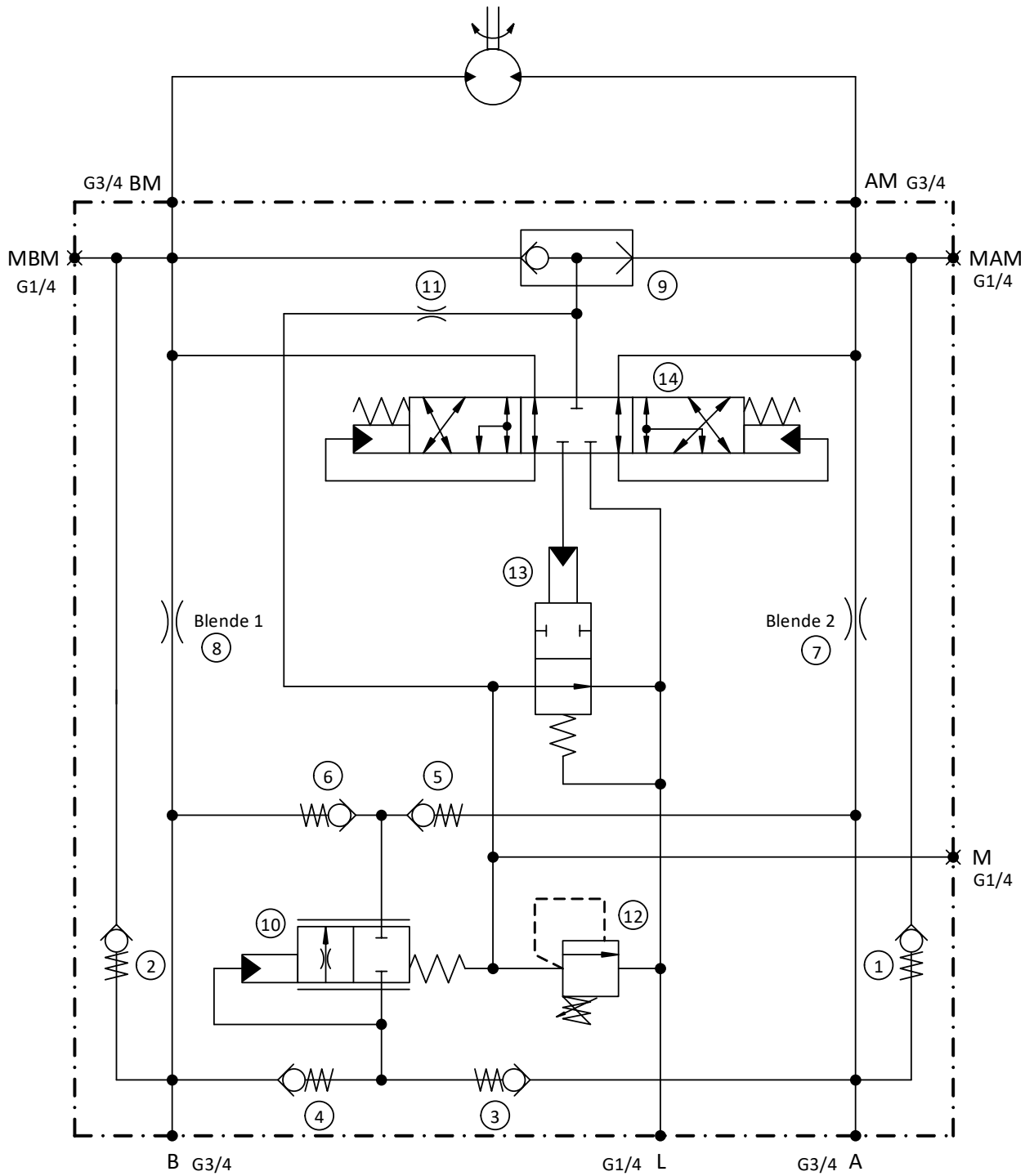
lackiert / painted

Hydraulic data:

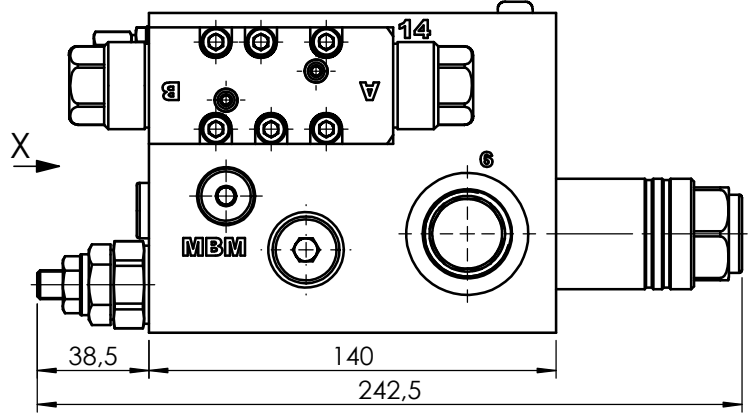
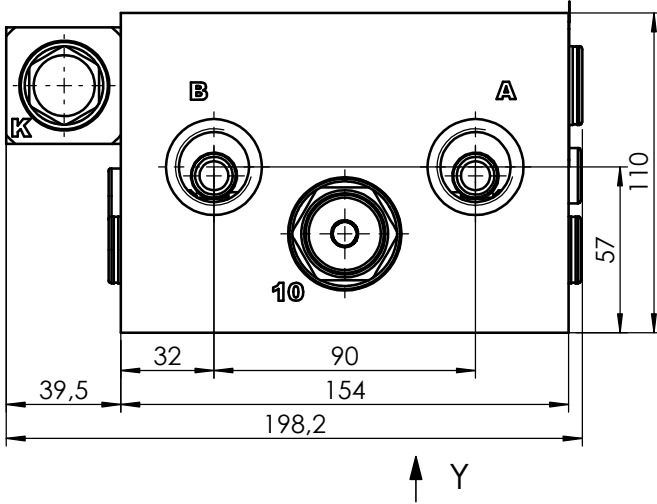
Druckflüssigkeit/ Hydraulic medium	(HL, HLP) per DIN 51524
Temperatur/ temperature range	-20 to +80 °C
Umgebungstemperatur/ environmental temperature	< +50 °C
Viskositätsbereich/ Viscosity range	2.8 - 500 mm ² /s
Verschmutzungsgrad/ degree of contamination	filtering conforming with NAS 1638, class 9, with minimum retention rate $\beta_{10} \geq 75$

we engineer your progress

Anschluss/ port	Anschlussgröße/ size	Norm	Anzugsmoment/torque	Erläuterung/ annotation
A, B	G3/4"	ISO 1179-1	see specification	Versorgungsleitung/ supply port
AM, BM	G3/4"	ISO 1179-1	see specification	Verbraucheranschluss/actuator port
L	G1/4"	ISO 1179-1	see specification	Leckölanschluss/ leakage port
M, MAM, MBM	G1/4"	ISO 1179-1	see specification	Messanschluss/ measuring port



we engineer your progress



we engineer your progress

