

General Information:

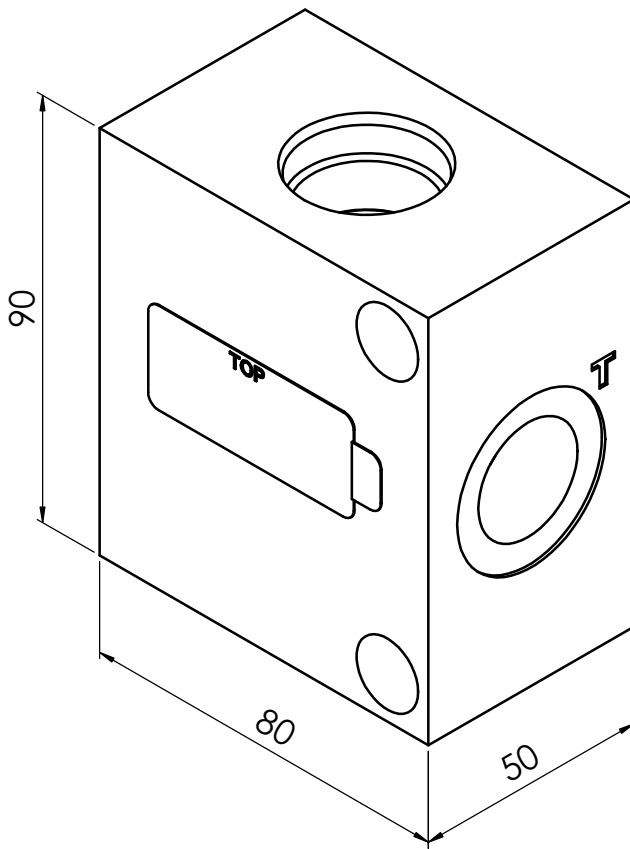
Gewicht/weight	2.3 kg
Einbaulage/ Installation position	Beliebig/ Any
max.Betriebsdruck/ maximum operating pressure P	420 bar
max.Druck/ max. pressure T	420 bar
max.Druck/ max. pressure L	<1 bar
max. Volumenstrom/ max. recommended flow	400 l/min
Normbohrung / cavity	8.00051/ 8.00051-1
Gehäusematerial / body material	Guss / cast iron

Surface:

gal. beschichtet / electroplating coated

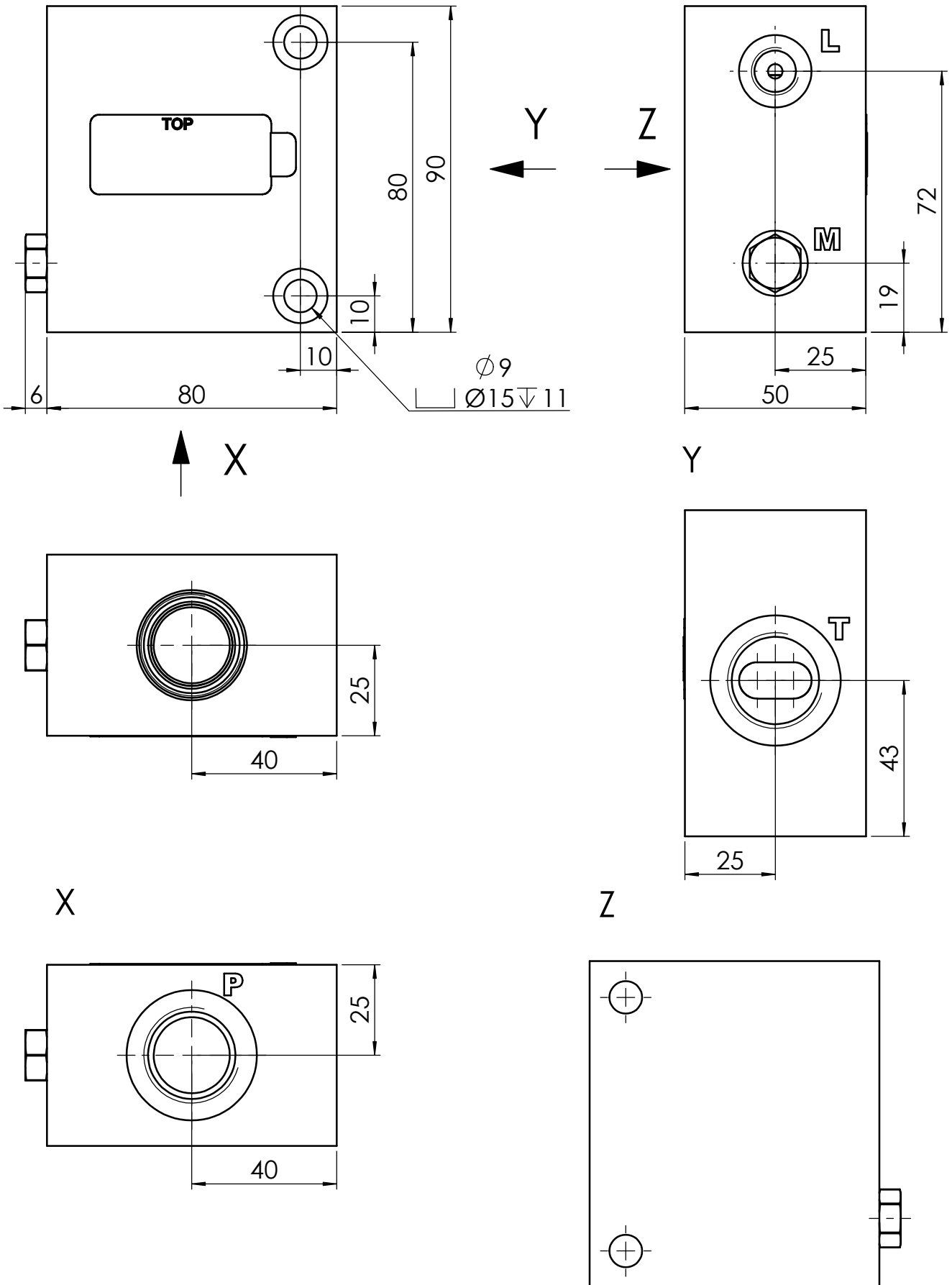
Hydraulic data:

Druckflüssigkeit/ Hydraulic medium	(HL, HLP) per ISO 6743-4 2015
Temperatur/ temperature range	-20 to +100 °C
Umgebungstemperatur/ environmental temperature	< +50 °C
Viskositätsbereich/ Viscosity range	2.8 - 500 mm ² /s
Verschmutzungsgrad/ degree of contamination	ISO 4406 18/16/13
Verschmutzungsgrad/ degree of contamination (prop. valves)	ISO 4406 17/15/12



we engineer your progress

Anschluss/ port	Anschlussgröße/ size	Norm	Anzugsmoment /torque	Erläuterung/ annotation
P	G3/4"	ISO 1179-1	see specification	Versorgungsleitung/ supply port
T	G3/4"	ISO 1179-1	see specification	tank
L	G1/4"	ISO 1179-1	see specification	Leckölanschluss/ leakage port
M	M8x1		see specification	Messanschluss/ measuring port
doerk	prepared on	26.10.21	Projektnr.	Identnr.
				978.004.011.9
				00
				page
				1
				von
				2



we engineer your progress